

New!

NV series

Compact 4- or 5-way switch based miniature joysticks

Distinctive features and specifications



- Positive tactile feedback in all directions
- Sealed to IP69K
- Compact and low profile
- Robust : shock, vibration and salt spray resistant

ELECTRICAL SPECIFICATIONS

- Electrical function : 4 or 5 momentary NO
- Max. current/voltage rating with resistive load : 50mA
12VDC
- Electrical life at full load :
1.000.000 cycles per direction
1.000.000 cycles for pushbutton
- Output : MOLEX 6 pin connector (Ref: 53398-0671)
Mating connector Molex 51021-0600

MATERIALS

- Sealing gasket : elastomer
- Case : brass, black chrome plated
- Actuator : ABS
- Lever : steel
- Nut : brass, black chrome plated

ENVIRONMENTAL SPECIFICATIONS

- Front panel sealing :
IP69K according to DIN 40050-9
IP67 according to IEC 60529
- Shock resistance per IEC 60068-2-27 :
3 sinusoidal impulse 300m/s² 18ms on 3 axis
- Vibrations (random, 3 axis) per IEC 60068-2-64 : 10-350Hz
Vibrations (sinus) per IEC 60068-2-6 : 10-200Hz / 20m/s² ; dwell period
30 minutes
- Salt Spray : 96 h per IEC 60068-2-11/KA
- Damp heat per IEC 68-2-78 : 40°C 93% HR 10 days
- Cold and dry heat, temperature shock per IEC 68-2-14/Na :
-40°C to +85°C - 10 cycles
- Operating temperature: -40°C / +65°C

MECHANICAL SPECIFICATIONS

- Life : 1 million cycles per direction
- Angular travel : 12°
- Pushbutton travel : 1,5 mm
- Operating force :
Directions : 4 N ± 1 N
Pushbutton: 11 N ± 2 N
- Panel thickness : 1 to 10 mm (.039 to .393)
- Torque : 2 Nm min. applied to nut
- Mechanical strength : the switch can withstand a force of 100 N applied
in any directions

The company reserves the right to change specifications without notice.

NV series

New!

Compact 4- or 5-way switch based miniature joysticks

Overview

NV							
SERIES	Type	Actuator styles	Panel mount	Contact	Output	Pushbutton	
	H	1 Castle 2 Conical	D Drop-in	1 50mA	C Connector	0 No 1 Yes	

Limiter	Actuator colors	Force
C Cross	P1 Blue P2 Black P3 Green P4 Grey P5 Yellow P6 Red P7 White P9 Orange PM Desert tan	S Standard

Dimensions : First dimensions are in mm while inches are shown as bracketed numbers.

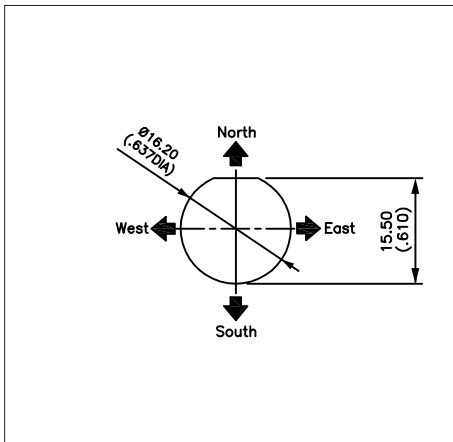


Mounting accessories : Standard hardware supplied : 1 hex nut 19 mm across flats

New!

NV series

Compact 4- or 5-way switch based miniature joysticks

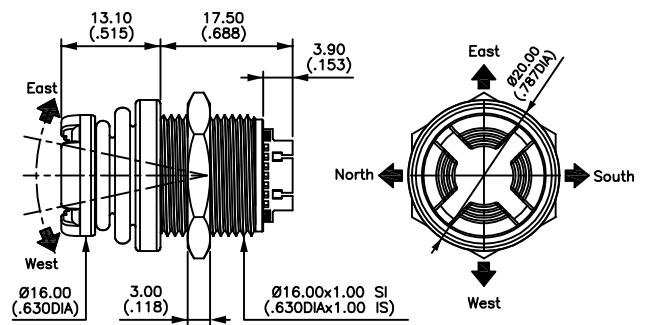


4 directions



NVH1D1C0...

➔ For direction available

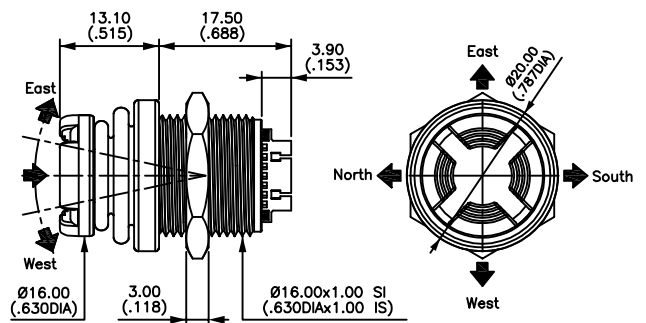


4 directions + pushbutton



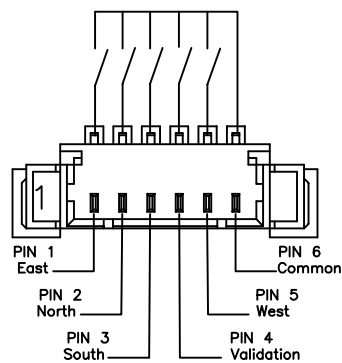
NVH1D1C1...

➔ For direction available



WIRING (REAR VIEW)

PIN 4 for pushbutton version only



Mouser Electronics

Authorized Distributor

Click to View Pricing, Inventory, Delivery & Lifecycle Information:

[Apem:](#)

[NVH1D1C1CP2S](#) [NVH1D1C0CP2S](#) [NVH1D1C0CP7S](#) [NVH2D1C0CP6S](#) [NVH1D1C1CP7S](#) [NVH1D1C0CP4S](#)
[NVH2D1C1CP4S](#) [NVH2D1C0CP4S](#) [NVH1D1C0CP6S](#) [NVH2D1C0CP7S](#) [NVH1D1C1CP6S](#) [NVH2D1C1CP7S](#)
[NVH2D1C1CP6S](#) [NVH1D1C1CP4S](#)