

### TYPE 5CCEG

For Reflow Soldering

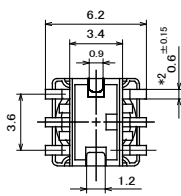
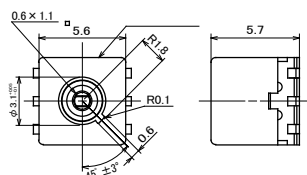
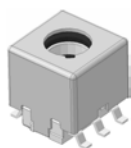
Frequency Range : 20 ~ 120 MHz

Inductance Range : 0.05 ~ 2.7 uH

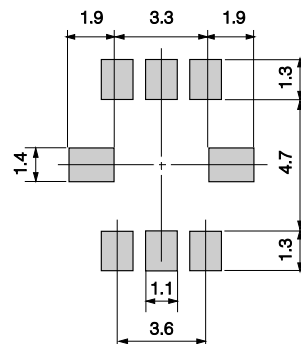
Q Approx : 70 (at 100MHz)



### Recommended patterns 推奨パターン図



(Unit: mm)



(Unit: mm)

### Features

- High reliability conforms to automotive applications.
- AEC-Q200 compliant.

### 特長

- 車載基準に適合する高信頼性
- AEC-Q200準拠

### Applications

- Suitable as a RF matching transformer for car tuner.
- Wide operating temperature range (-40~+85°C)

### 用途

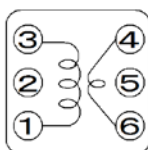
- カーチューナー用RFマッチングトランスに最適
- 使用温度範囲：-40 ~ +85°C

## SELECTION GUIDE FOR STANDARD TRANSFORMERS

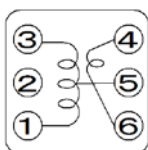
### TYPE 5CCEG

品番	測定周波数	C可変範囲	Q	内部接続 *
Part Number	Test Frequency (MHz)	C Range (pF)	Unloaded Q	Winding Connection *
#A1313AN-0001GGH=P3	100	11.4 +3/-3%	72 +/-20%	A
#A1313AN-0002GRG=P3	100	11.4 +5/-2%	61 +/-20%	B
#A1313AN-0003GRG=P3	100	11.4 +2/-4%	54 +/-20%	B
#A1313AN-0004GGH=P3	100	11.7 +3/-3%	72 +/-20%	A

\*Connection A (Bottom View)



\* Connection B (Bottom View)



5CCEG type is customized item. Please feel free to contact us for details.  
5CCEGはカスタム仕様品です。詳細についてはお問い合わせ下さい。

# Mouser Electronics

Authorized Distributor

Click to View Pricing, Inventory, Delivery & Lifecycle Information:

[Murata:](#)

[#A1313AN-0001GGH=P3](#) [#A1313AN-0003GRG=P3](#) [#A1313AN-0004GGH=P3](#) [#A1313AN-0002GRG=P3](#)